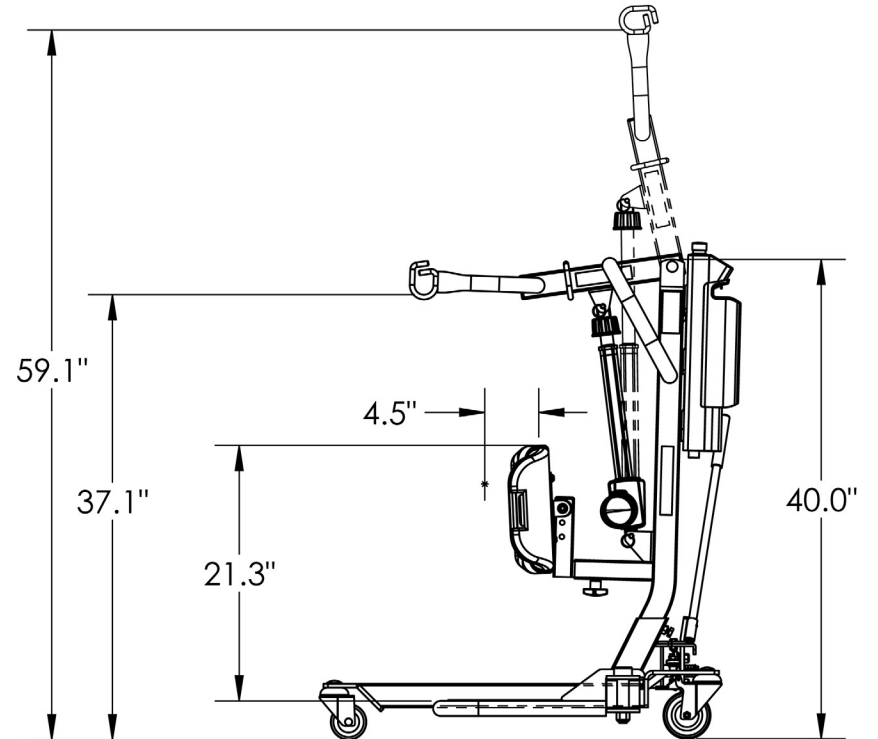
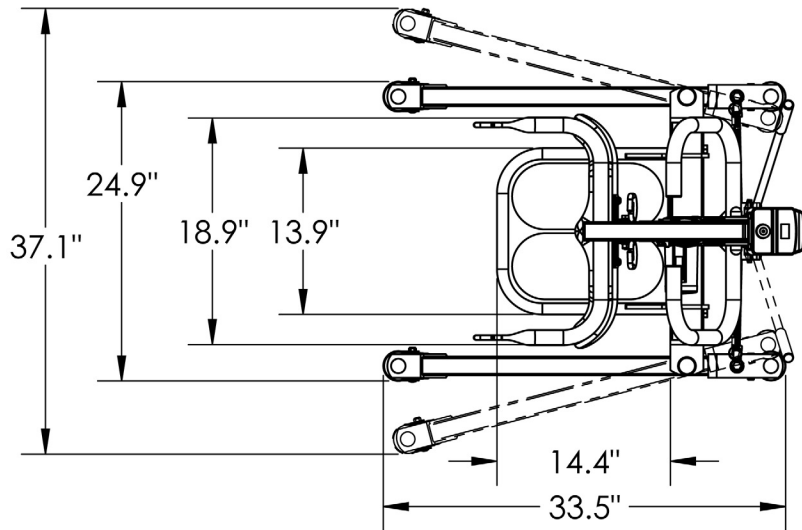




Span F500S

Powered Sit-to-Stand Patient Lift

DIMENSIONS CHART



SPAN
better science. better care.

800-888-6752

spanamerica.com